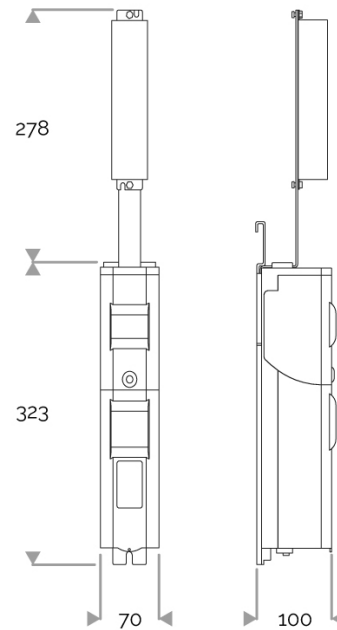


SEPARATE POWER SUPPLY BOX

302-0350 integrated 10 kV protection for pole with single DALI power supply: 100W 1,4A CLI IP44



CLASSIFICATION

IP44 / Class I

RATED POWER

180V AC - 295V AC + Built-in 10 kV / 5 kA
surge protection

FREQUENCY RANGE

47 / 63 Hz

CURRENT

1.4A

POWER FACTOR

$\geq 0,95$ full load

CONSTANT CURRENT

35V DC - 72V DC

