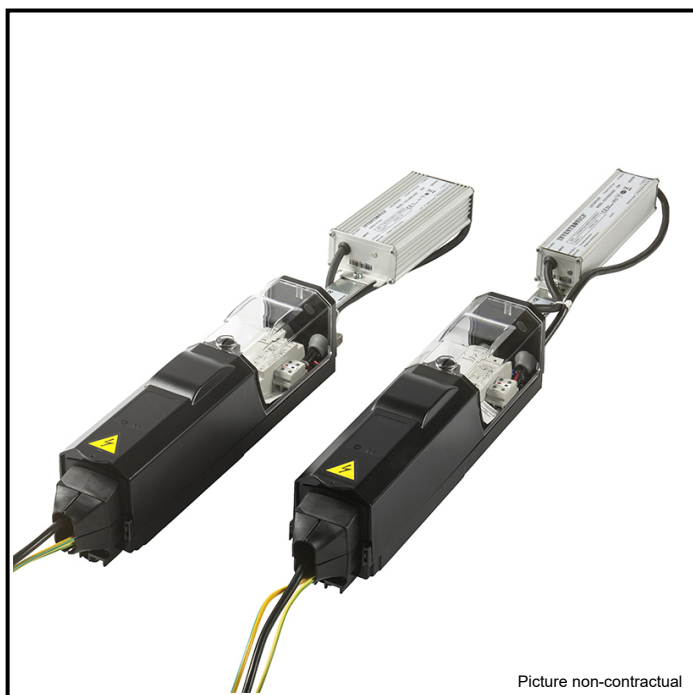
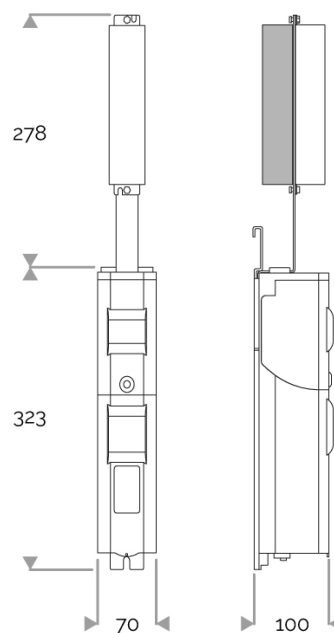


SEPARATE POWER SUPPLY BOX

302-0345 integrated 10 kV protection for pole with double DALI power supplies: 75W 1,4A CLI IP44



Picture non-contractual



CLASSIFICATION

IP44 / Class I

RATED POWER

100V AC - 305V AC + Built-in 10 kV / 5 kA surge protection

FREQUENCY RANGE

47 / 63 Hz

CURRENT

1,4A

POWER FACTOR

>= 0,95 full load

CONSTANT CURRENT

27V DC - 54V DC

