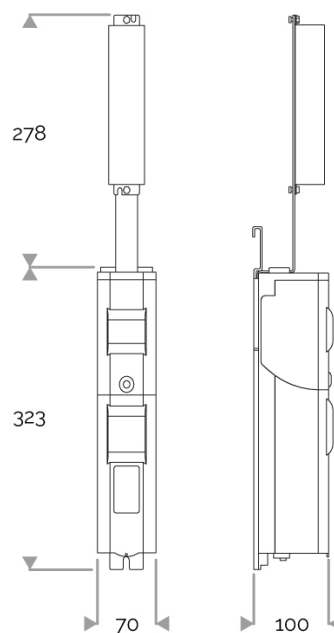
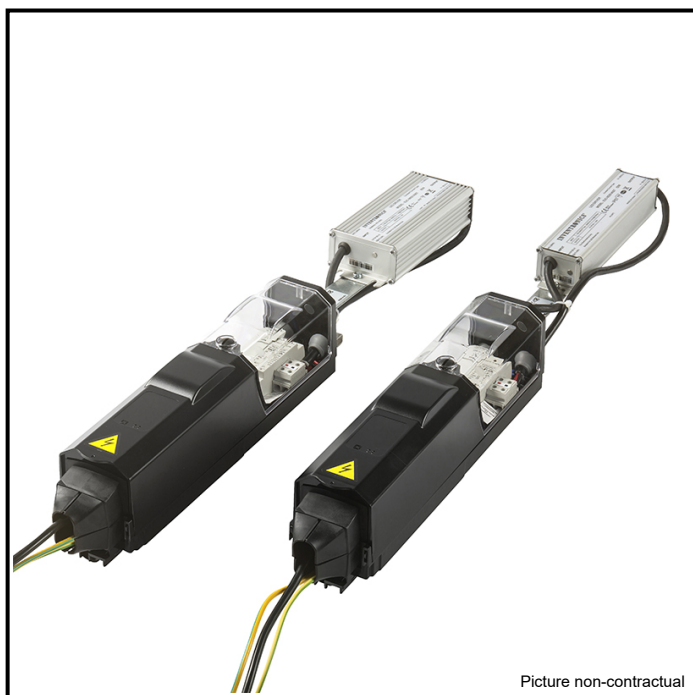


SEPARATE POWER SUPPLY BOX

302-0340 integrated 10 kV protection for pole with single DALI power supply: 75W 1,4A CLI IP44



CLASSIFICATION
IP44 / Class I

RATED POWER
100V AC - 305V AC + Built-in 10 kV / 5 kA surge protection

FREQUENCY RANGE
47 / 63 Hz

CURRENT
1,4A

POWER FACTOR
>= 0,95 full load

CONSTANT CURRENT
27V DC - 54V DC

