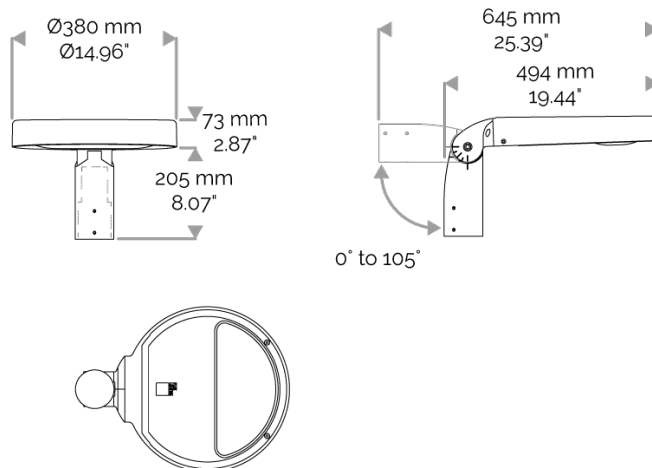


**ODO - Adjustable pole/bracket Ø76-60 - 2000 to 10000 lm**  
841-1310 ODO LED lantern 3000K 4000lm 25W IP66 CLII



Spigot: Ø76 H80mm / Ø60 H160mm



**ODO - Adjustable pole/bracket Ø76-60 - 2000 to 10000 lm**  
**841-1310 ODO LED lantern 3000K 4000lm 25W IP66 CLII**

**APPLICATION**

Street luminaire with the COB LED "EASY LIGHT" system. Roads & urban lighting. ULR = 0%.

**LIGHTING FEATURES**

CRI80 (CRI65 at 2200K). Ultra-clear UV-resistant silicone lens, and no yellowing.

Photometries to be specified when ordering:

841-9030: STREET proprietary photometry (Spacing up to 5.5 times the height of the light source / lighting to the front up to 1.6 times the height of the light source).

841-9040: ASYMMETRIC FORWARD THROW photometry (Spacing up to 2.5 times the height of the light source / lighting to the front up to 3 times the height of the light source).

**ELECTRICAL FEATURES**

230V AC (except for the USA) mains connection. Zhaga LED module. Integrated Zhaga DALI driver. Zhaga Book 18 connector in option. Built-in 10 kV lightning and surge protection. Cable is not visible. Cable length to be specified in meters when ordering.

Control to be specified when ordering (CLO (constant light output), AstroDIM, MainsDIM, StepDIM). Maximum ambient temperature: 30°C. For the USA please consult us.

**CABLES USED**

For class I (AstroDIM, StepDIM, MainsDIM): HO7RN-F 5G1,5mm<sup>2</sup> cable (blue, brown, green/yellow, grey, black).

For class I (StepDIM): HO7RN-F 4G1,5mm<sup>2</sup> cable (grey, brown, green/yellow, black).

For class II (AstroDIM, StepDIM, MainsDIM): 4x1,5mm<sup>2</sup> cable (blue, brown, grey, black).

**MECHANICAL FEATURES**

IP66, IK08. Integrated heat sink. Die-cast aluminium luminaire, anti-corrosion treatment prior to polyester powder coating. Easy opening system using hinges. Captive stainless steel fasteners with Delta Seal® galvanic tamperproof treatment. RAL colour to be specified when ordering. Wind pressure = 0,07m<sup>2</sup>. Weight: 7.4kg.

**STANDARDS**

Luminaire compliant with European standard EN60598.

**MAINTENANCE**

Interchangeable LED COB module at various manufacturers (LED not owner system).

**WARRANTY**

5-year warranty: on LED module and driver (see the FLUX conditions).



**Lifetime: 100 000 hours L80 B10**

**LUMEN DATA**

|   |      |
|---|------|
| Lumen nominal total warm white 3000K (lm) | 4000 |
| lm/W LED warm white 3000K                 | 160  |
| lm/W product warm white 3000K             | 130  |
| Qty LED                                   | 1    |
| Ta max.                                   | 30°C |
| Tj (at 25°C)                              | 85°C |

**INRUSH CURRENT**

|                          |     |
|--------------------------|-----|
| Inrush Current (A)       | 26  |
| Inrush Current Time (µs) | 180 |

**POWER**

|                       |      |
|-----------------------|------|
| Product Led Power (W) | 25   |
| Product Power (W)     | 30,7 |

