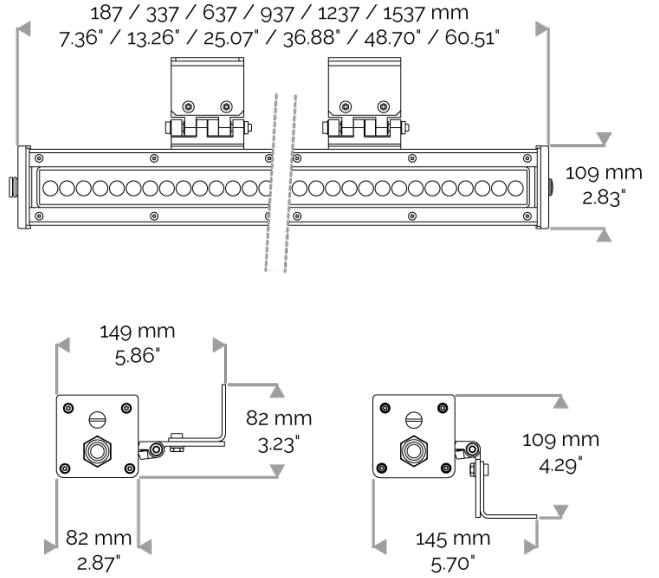


X-LINE4 - DMX monochrome

810-5870-WL X-LINE4 60 230V WIRELESS DMX amber 2x22.5° L1537mm 60W IP66



APPLICATION

230V AC (except for the USA) high-power LED luminaire for outdoor lighting available. DO NOT RECESS. Accentuation lighting for architectural facades, shop fronts, sculptures, columns etc...

LIGHTING FEATURES

CRI170. High-power LED luminaire. Monochrome DMX version.

ELECTRICAL FEATURES

CONNECT SYSTEM for reliable and fast installation. Integrated DMX power supply. Built-in 10 kV/5 kA surge protection. For the USA please consult us.

CABLES USED

DMX version: CONNECT SYSTEM cable. Length: 50cm.

MECHANICAL FEATURES

IP66, IK06. Anodized aluminium profile. Clear PMMA. Silicone gasket. Delta Seal® treated stainless steel fasteners. Weights: 337mm : 2 kg. 637mm : 3,5 kg. 937mm : 4,5 kg. 1237mm : 6,2 kg. 1537mm : 7,1 kg.

WARRANTY

5-year warranty: on LED module and driver (see the FLUX conditions).



Lifetime: 60 000 hours L80 B10

LUMEN DATA

Lumen nominal total amber (lm)	1914
lm/W LED amber	43,7
Qty LED	60
Ta max.	30°C
Tj (at 25°C)	85°C

INRUSH CURRENT

Inrush Current (A)	105
Inrush Current Time (µs)	240

POWER

Product Led Power (W)	43,8
-----------------------	------

