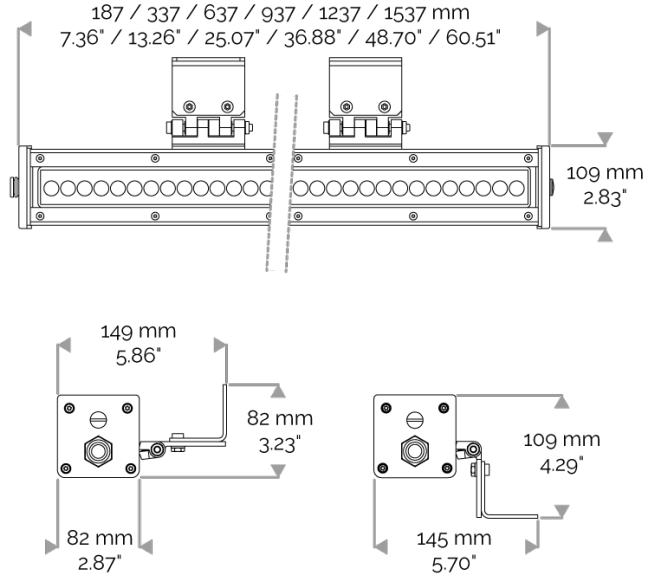


## X-LINE4 - DMX monochrome

810-5760 X-LINE4 24 230V DMX amber 2x15° L637mm 24W IP66



### APPLICATION

230V AC (except for the USA) high-power LED luminaire for outdoor lighting available. DO NOT RECESS. Accentuation lighting for architectural facades, shop fronts, sculptures, columns etc...

### LIGHTING FEATURES

CRI170. High-power LED luminaire. Monochrome DMX version.

### ELECTRICAL FEATURES

CONNECT SYSTEM for reliable and fast installation. Integrated DMX power supply. Built-in 10 kV/5 kA surge protection. For the USA please consult us.

### CABLES USED

DMX version: CONNECT SYSTEM cable. Length: 50cm.

### MECHANICAL FEATURES

IP66, IK06. Anodized aluminium profile. Clear PMMA. Silicone gasket. Delta Seal® treated stainless steel fasteners. Weights: 337mm : 2 kg. 637mm : 3,5 kg. 937mm : 4,5 kg. 1237mm : 6,2 kg. 1537mm : 7,1 kg.

### WARRANTY

5-year warranty: on LED module and driver (see the FLUX conditions).



**Lifetime: 60 000 hours L80 B10**

### LUMEN DATA

Lumen nominal total amber (lm)	765,6
lm/W LED amber	43,7
Qty LED	24
Ta max.	30°C
Tj (at 25°C)	85°C

### INRUSH CURRENT

Inrush Current (A)	50
Inrush Current Time (µs)	210

### POWER

Product Led Power (W)	17,5
-----------------------	------

