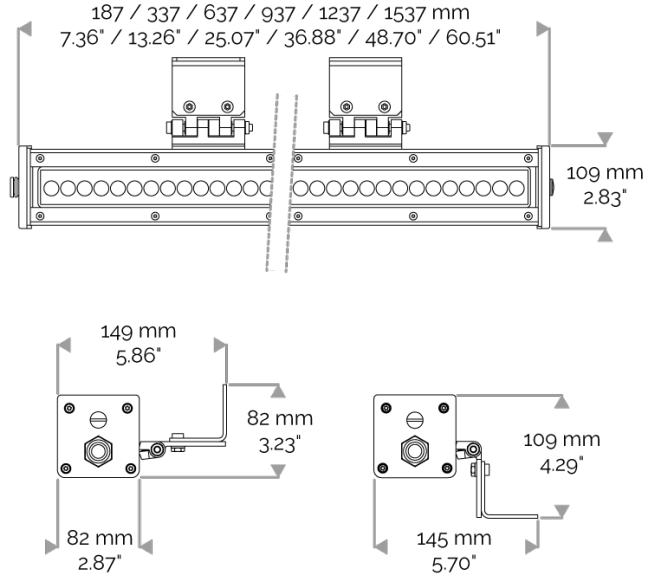


X-LINE4 - DMX monochrome

810-5730-WL X-LINE4 12 230V WIRELESS DMX amber 2x22.5° L337mm 12W IP66



APPLICATION

230V AC (except for the USA) high-power LED luminaire for outdoor lighting available. DO NOT RECESS. Accentuation lighting for architectural facades, shop fronts, sculptures, columns etc...

LIGHTING FEATURES

CRI170. High-power LED luminaire. Monochrome DMX version.

ELECTRICAL FEATURES

CONNECT SYSTEM for reliable and fast installation. Integrated DMX power supply. Built-in 10 kV/5 kA surge protection. For the USA please consult us.

CABLES USED

DMX version: CONNECT SYSTEM cable. Length: 50cm.

MECHANICAL FEATURES

IP66, IK06. Anodized aluminium profile. Clear PMMA. Silicone gasket. Delta Seal® treated stainless steel fasteners. Weights: 337mm : 2 kg. 637mm : 3,5 kg. 937mm : 4,5 kg. 1237mm : 6,2 kg. 1537mm : 7,1 kg.

WARRANTY

5-year warranty: on LED module and driver (see the FLUX conditions).



Lifetime: 60 000 hours L80 B10

LUMEN DATA

| | |
|--------------------------------|-------|
| Lumen nominal total amber (lm) | 382,8 |
| lm/W LED amber | 43,7 |
| Qty LED | 12 |
| Ta max. | 30°C |
| Tj (at 25°C) | 85°C |

INRUSH CURRENT

| | |
|--------------------|----|
| Inrush Current (A) | 40 |
|--------------------|----|

POWER

| | |
|-----------------------|-----|
| Product Led Power (W) | 8,8 |
|-----------------------|-----|

