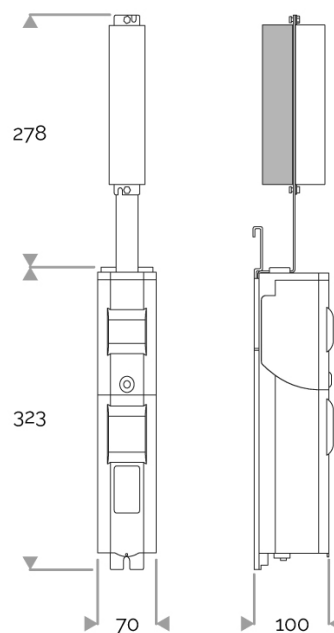
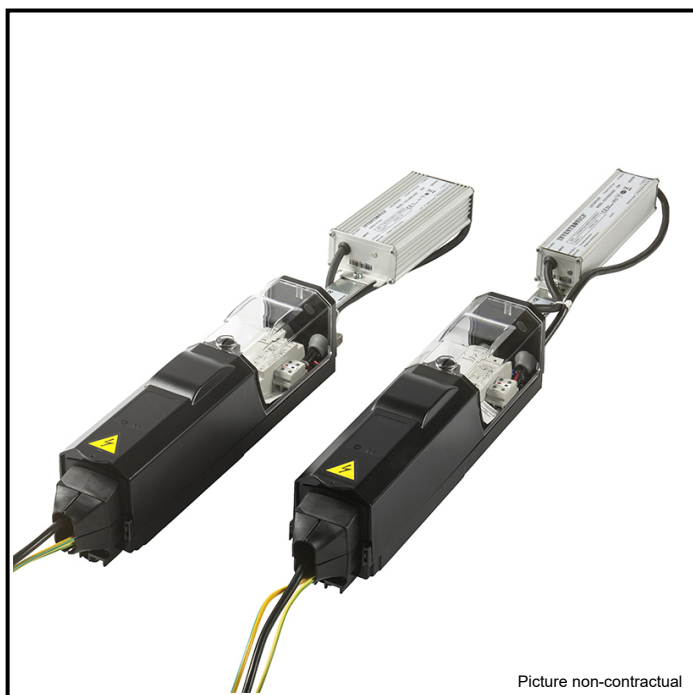


## SEPARATE POWER SUPPLY BOX

302-0355 integrated 10 kV protection for pole with double DALI power supplies: 100W 1,4A CLI IP44



**CLASSIFICATION**  
IP44 / Class I

**RATED POWER**  
180V AC - 295V AC + Built-in 10 kV / 5 kA  
surge protection

**FREQUENCY RANGE**  
47 / 63 Hz

**CURRENT**  
1.4A

**POWER FACTOR**  
>= 0,95 full load

**CONSTANT CURRENT**  
35V DC - 72V DC

